

额定功率(Rated Power):138kW@2200rpm(Cummins)/143kW@2200rpm(SC11CB195G2B1). 操作重量(Operating Weight):15800Kg/15900Kg.



- Equipped with Cummins engine(made in U.K) or SHANG CHAI SC11CB195G2B1 engine.
- Single-handle electro-hydraulic controlled power shift T/M,6 forward & 3 reverse shifts makes operation easy and convenient.
- Optimum axle load allocation provides excellent stability while grading rough and rocky area.
- Box-Type frame and advanced T/M enable it to complete heavy-duty work.
- A wide working range is accomplished through flexible moldboard suspension system and articulated frame.



Wheel Loader



Motor Grader



Excavator



Backhoe Loader



Vibratory Roller



Pneumatic Roller



Bulldozer



Crane Truck



Paver



CHANGLIN COMPANY LIMITED

Add:No898 West Huanghe Road, Changzhou, Jiangsu,
P.R.of China

P.C: 213136

Tel: 86-519-86781288 86752400

Fax: 86-519-86781387

Http://www.changlin.com.cn

E-mail:sales@changlin.com.cn

DEALER:

常林股份有限公司

发动机(Engine)

型号.....康明斯/上柴 C6121
 Model.....Cummins 6CTAA8.3-C185(Made in U.K) or C6121
 型式.....直喷、涡轮增压、水冷
 Type.....Dircet injection, turbocharged, water cooling
 额定功率Rated Power.....138kW/143kW
 额定转速Rated Speed.....2200rpm

变速系统 (Transmission System)

ZF技术的电液控制动力换挡变速箱, 单手柄操作, 中位锁定。
 Electro-hydraulic controlled power shift transmission adopted ZF technology, single handle operation, lock in the neutral.
 行驶速度(km/h) Traveling speed (at rated engine rpm)

Gearshift	Forward speed	Reverse speed
1 st	6.5	6.5
2 nd	11.4	14.6
3 rd	14.6	30
4 th	24.8	
5 th	30	
6 th	49.2	

制动 (Brakes)

行车制动.....液压助力作用内涨蹄鼓式制动器。
 Service brake.....Hydraulic assist actuated on inner-expanding drum brake
 停车制动.....软轴操纵作用内涨鼓式制动器。
 Parking brake.....Flexible shaft control actuated inner-expanding drum brake

铲刀 (Moldboard)

铲刀尺寸 Dimensions.....4268mm × 645mm × 18mm

刀板变动范围 (Blade Range)

铲刀移动距离(Moldboard side shift)
 Right.....815mm
 Left.....815mm
 Max. shoulder reach outside rear tires(frame straight)
 Right.....2000mm
 Left.....2000mm
 Max. lift above ground.....450mm
 Max. grading depth.....535mm
 Max. blade angle, right or left.....90°
 Blade tip angle.....29° ~ 77°

车桥 (Axles)

前桥.....中央离地间隙 610mm, 摆角为32°
 Front axle.....Ground clearance 610mm and oscillation angle (total)32°
 前轮倾斜角 wheel lean angle.....right or left 20°
 后桥: 全浮式后桥, 带 NO-SPIN 差速器
 Rear axle: full-floating rear axle with NO-SPIN differential

终传动 (Tandem Drive)

平衡箱摆角(Tandem oscillation).....11° forward and reverse
 终传动.....螺旋锥齿轮, 单级减速。
 Final driving.....Spiral bevel gear, single stage reduction
 串联传动.....采用双排滚子链
 Tandem drive.....Double row roller-chains

转向 (Steering System)

前轮的最大转向角.....左右各 49°
 Max. turning range.....left or right 49°
 车架转向角.....左右各 26°
 Frame articulation.....left or right 26°
 最小转弯半径.....7300mm
 Min. turning radius.....7300mm

轮胎 (Tyre)

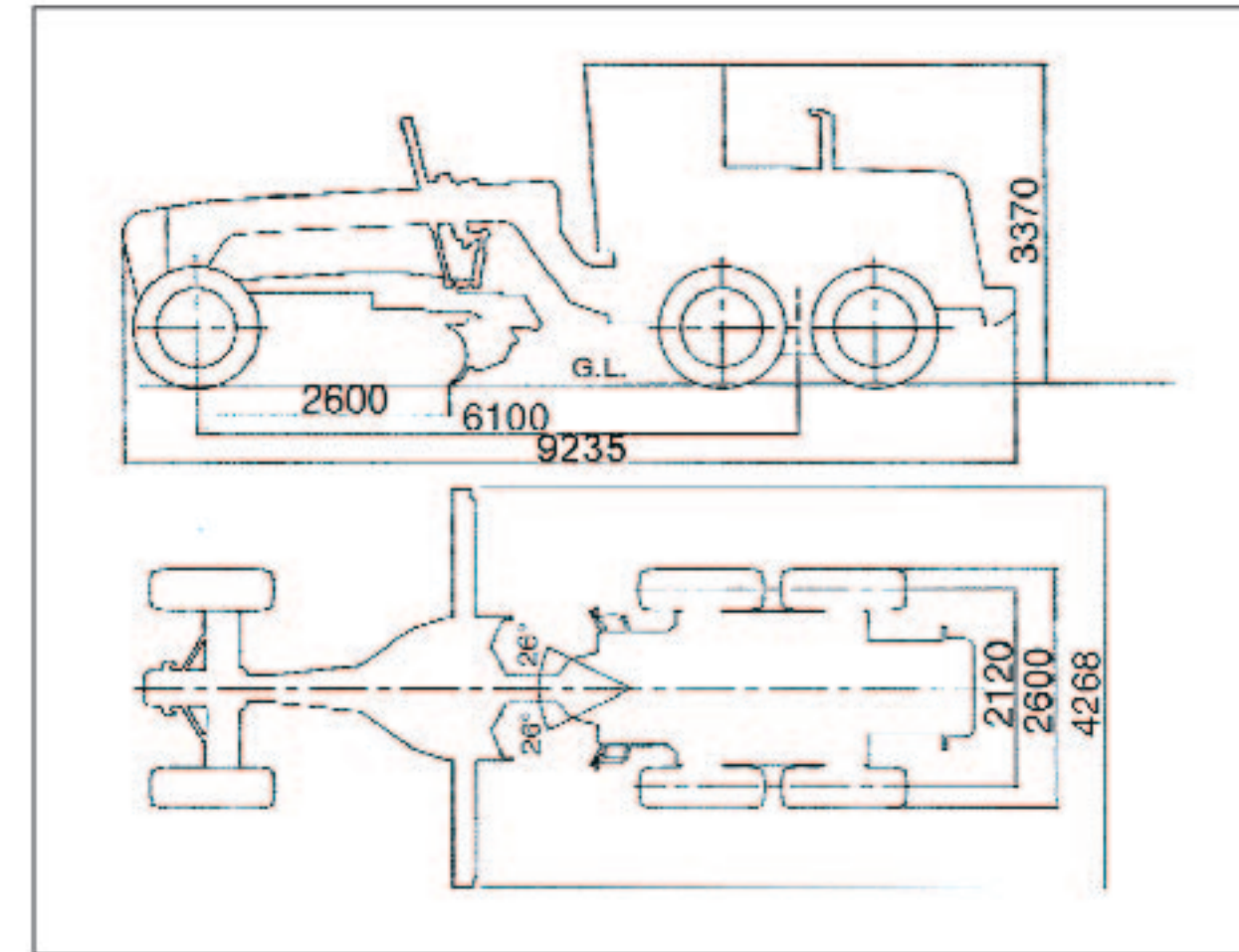
轮胎规格 Tyre size.....17.5-25-12PR L-3

驾驶室 (Cabin)

Vibration-absorbed humanistic cabin with adjustable steering wheel and seat, and streamline dashboard provide low noise, air conditioning, comfortable operation and wide eyeshot.

油量 (Refill Capacity)

燃油箱 Fuel tank.....350L
 曲轴箱 Crank case.....27L
 变速箱 Transmission.....45L
 后桥 Rear axle.....18L
 平衡箱(单边) Tandem housing(each).....42L
 液压系统 Hydraulic system.....70L
 涡轮增压 Circle reverse housing.....3.8L



Comfortable Cabin



■ Full-closed cabin with the visibility up to 47%.

Optional Attachment

1. 空调Air conditoner
2. 轮胎Tyre size: 13.00-24-12PR G-2
3. 自动找平仪Automatic leveling device
4. 防滚翻ROPS Frame
5. 推土板Front Blade
6. 前松Scarifier
7. 后松Ripper



Scarifier

- No. of teeth 11
- Digging width 1325mm
- Max. lift above ground 322mm
- Scarifier base 970mm



Ripper

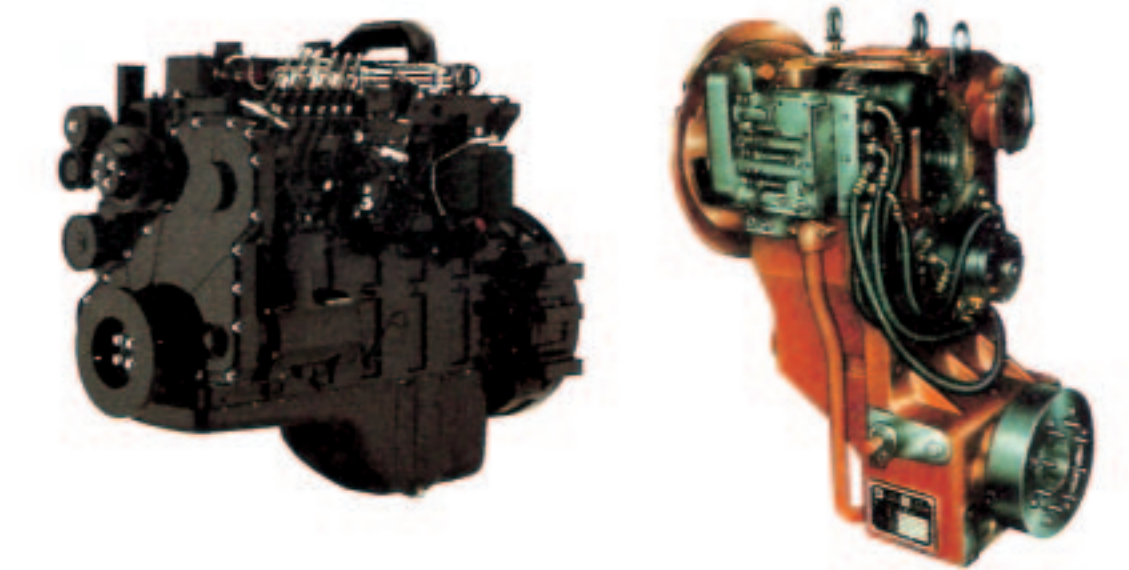
- No. of shanks 3 (max.5)
- Max. digging depth 465mm
- Max. lift above ground 550mm
- Max. digging width 2210mm



Front Blade

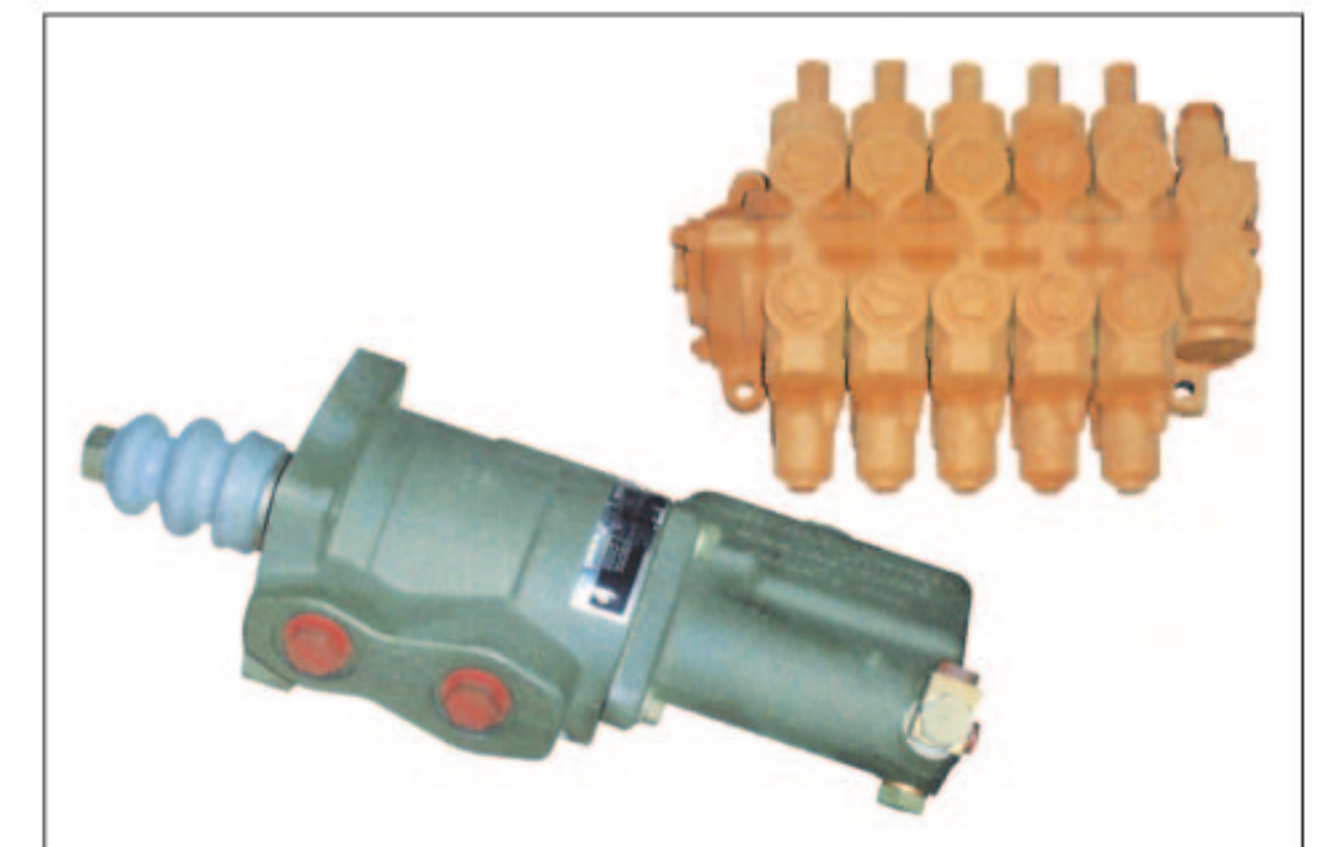
- Blade width 2501mm
- Max. lift above ground 579mm
- Max. grading depth 125mm

Best Matched Power Train



- Equipped with Cummins engine that features strong power and low oil consumption.
- ZF technology transmission with single handle that features perfect performance and easy operation.

Imported Multil-way Valve & Booster



- Adopted imported components in crucial places greatly enhance reliability.