

额定功率(Rated Power):162kW@2200rpm 操作重量(Operating Weight):16100Kg



- Equipped with SHANGCHAI C6121 engine.
- Equipped with ZF transmission, 6 forward & 3 reverse shifts makes operation easy and convenient.
- Hydraulic lock, auto lock/unlock NO-SPIN differential ensures stability and powerful traction.
- Box-Typed frame and advanced T/M enable it to complete heavy-duty work.
- A wide working range is accomplished through flexible blade suspension system and articulated frame.



Wheel Loader



Motor Grader



Excavator



Backhoe Loader



Vibratory Roller



Pneumatic Roller



Bulldozer



Crane Truck



Paver



### 发动机(Engine)

型号.....上柴 SC11CB220G2B1  
 Model.....SHANG CHAI SC11CB220G2B1  
 型式.....直喷、涡轮增压、水冷  
 Type.....Direct injection, turbocharged, water cooling  
 额定功率Rated Power.....162kW  
 额定转速Rated Speed.....2200rpm

### 变速系统 (Transmission System)

ZF电液控制动力换挡变速箱, 单手柄操作, 中位锁定。  
 Electro-hydraulic controlled power shift transmission adopted ZF, single handle operation, lock in the neutral.  
 行驶速度(km/h) Traveling speed (at rated engine rpm)

Gearshift	Forward speed	Reverse speed
1 <sup>st</sup>	6.8	6.8
2 <sup>nd</sup>	10.3	15.3
3 <sup>rd</sup>	15.3	32
4 <sup>th</sup>	22.7	
5 <sup>th</sup>	32	
6 <sup>th</sup>	47	

### 制动 (Brakes)

行车制动.....液压助力作用内涨蹄鼓式制动器。  
 Service brake.....Hydraulic assist actuated on inner-expanding drum brake  
 停车制动.....软轴操纵作用内涨蹄鼓式制动器。  
 Parking brake.....Flexible shaft control actuated inner-expanding drum brake

### 铲刀 (Moldboard)

铲刀尺寸 Dimensions.....4320mm × 545mm × 16mm

### 刀板变动范围 (Blade Range)

铲刀移动距离(Moldboard side shift)  
 Right.....815mm  
 Left.....815mm  
 Max. shoulder reach outside rear tires(frame straight)  
 Right.....2000mm  
 Left.....2000mm  
 Max. lift above ground.....450mm  
 Max. grading depth.....510mm  
 Max. blade angle, right or left.....90°  
 Blade tip angle.....29° ~ 77°

### 车桥 (Axles)

前桥.....最小离地间隙 430mm, 摆角为32°  
 Front axle.....Min Ground clearance 610mm and oscillation angle(total)32°  
 前轮倾斜角 wheel lean angle.....right or left 20°  
 后桥: 全浮式后桥, 带 NO-SPIN 差速器  
 Rear axle: full-floating rear axle with NO-SPIN differential

### 终传动 (Tandem Drive)

平衡箱摆角(Tandem oscillation).....11 forward and reverse  
 终传动.....螺旋锥齿轮, 单级减速。  
 Final driving.....Spiral bevel gear, single stage reduction  
 串联传动.....采用双排滚子链  
 Tandem drive.....Double row roller-chains

### 转向 (Steering System)

前轮的最大转向角.....左右各 49°  
 Max. turning range.....left or right 49°  
 车架转向角.....左右各 26°  
 Frame articulation.....left or right 26°  
 最小转弯半径.....7300mm  
 Min. turning radius.....7300mm

### 轮胎 (Tyre)

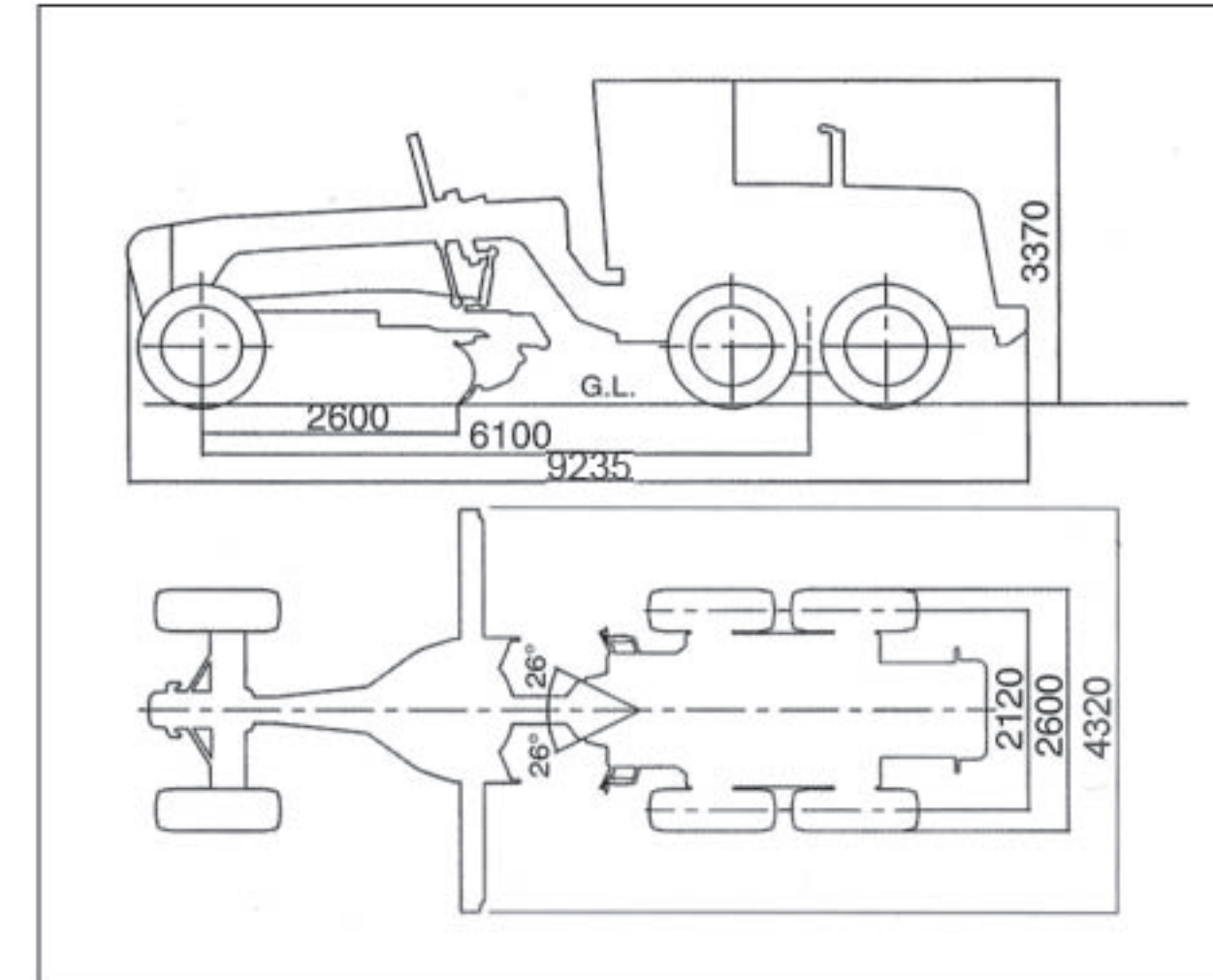
轮胎规格 Tyre size.....17.5-25-14PR(standard) 标配  
 .....17.5-25-16PR(optional) 选配

### 驾驶室 (Cabin)

Vibration-absorbed humanistic cabin with adjustable steering wheel and seat, and streamline dashboard provide low noise, air conditioning, comfortable operation and wide eyeshot.

### 油量 (Refill Capacity)

燃油箱 Fuel tank.....378L  
 曲轴箱 Crank case.....24L  
 变速箱 Transmission.....28L  
 后桥 Rear axle.....18L  
 平衡箱(单边) Tandem housing(each).....90L  
 液压系统 Hydraulic system .....117L



### Comfortable Cabin



Full-closed cabin with the visibility up to 47%.

### Optional Attachment

1. 空调Air conditioner
2. 轮胎Tyre size: 13.00-24-12PR G-2
3. 自动找平仪Automatic leveling device
4. 防滚翻ROPS Frame
5. 推土板Front Blade
6. 前松Scarifier
7. 后松Ripper



#### Scarifier

- No. of teeth 11
- Digging width 1325mm
- Max. lift above ground 322mm
- Scarifier base 970mm

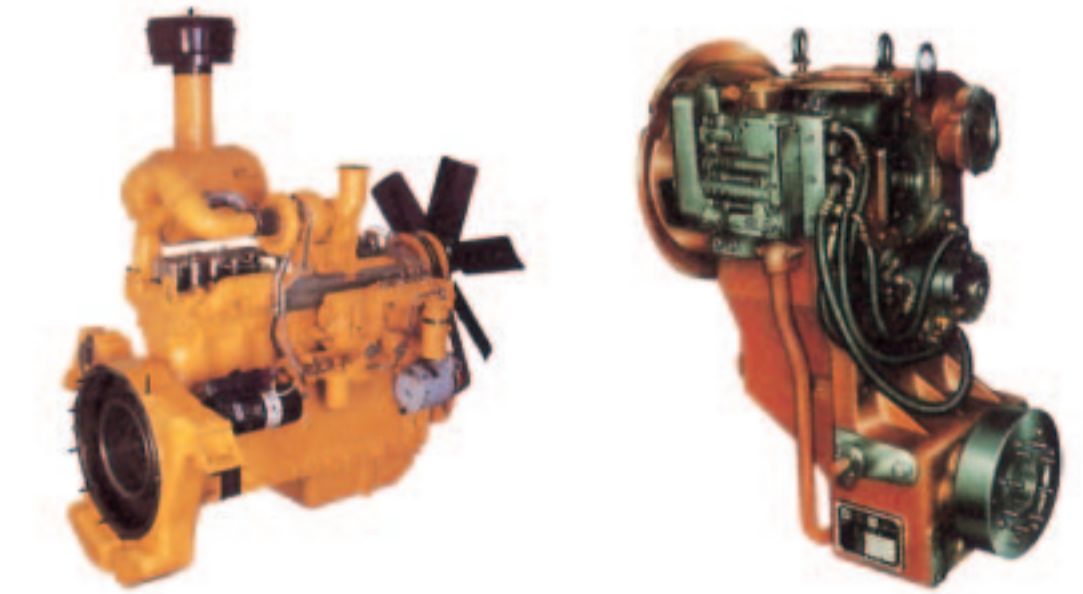
#### Ripper

- No. of shanks 3 (max.5)
- Max. digging depth 465mm
- Max. lift above ground 550mm
- Max. digging width 2210mm

#### Front Blade

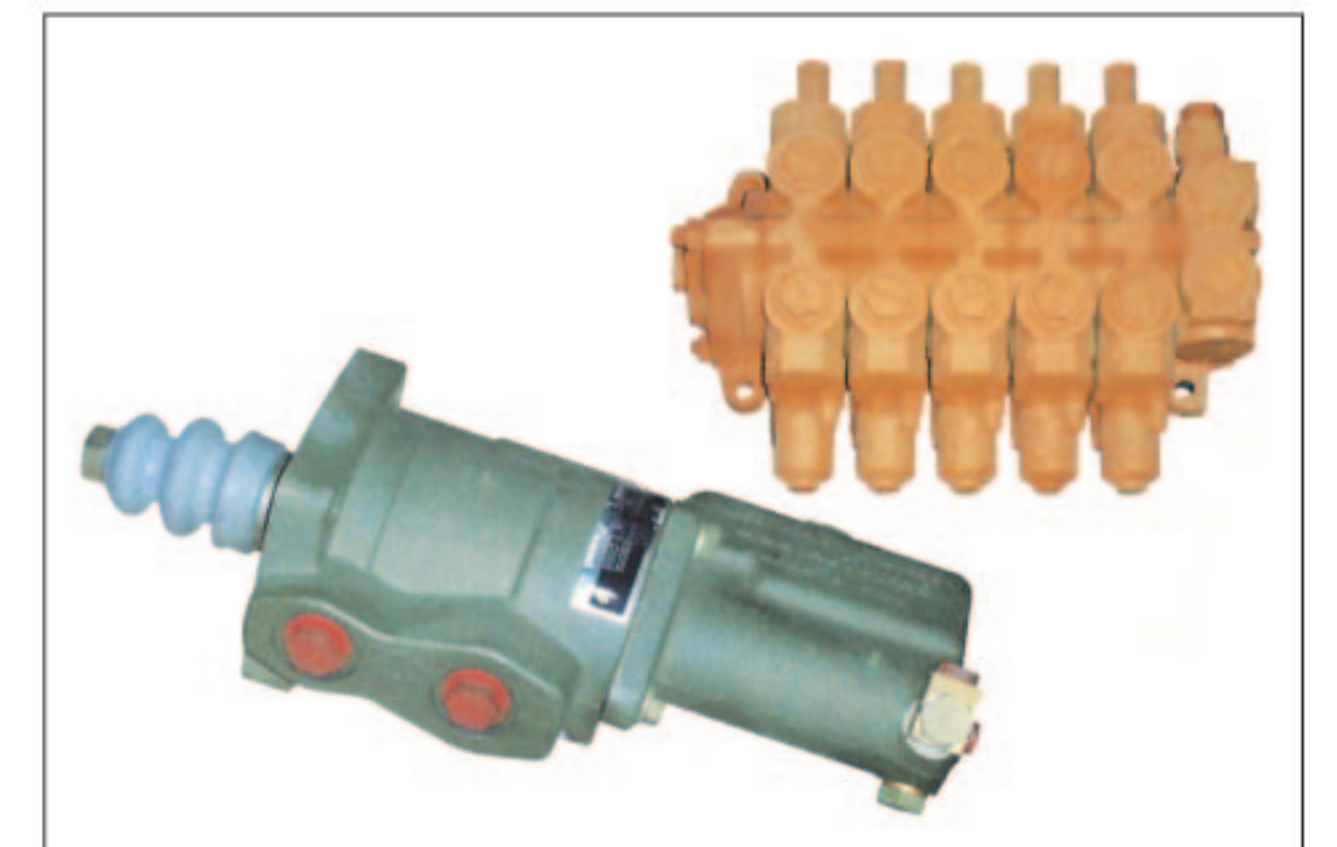
- Blade width 2501mm
- Max. lift above ground 579mm
- Max. grading depth 125mm

### Best Matched Power Train



- Equipped with SHANG CHAI engine that features strong power and low oil consumption.
- ZF transmission with single handle that features perfect performance and easy operation.

### Imported Multil-way Valve & Booster



- Adopted imported components in crucial places greatly enhance reliability.